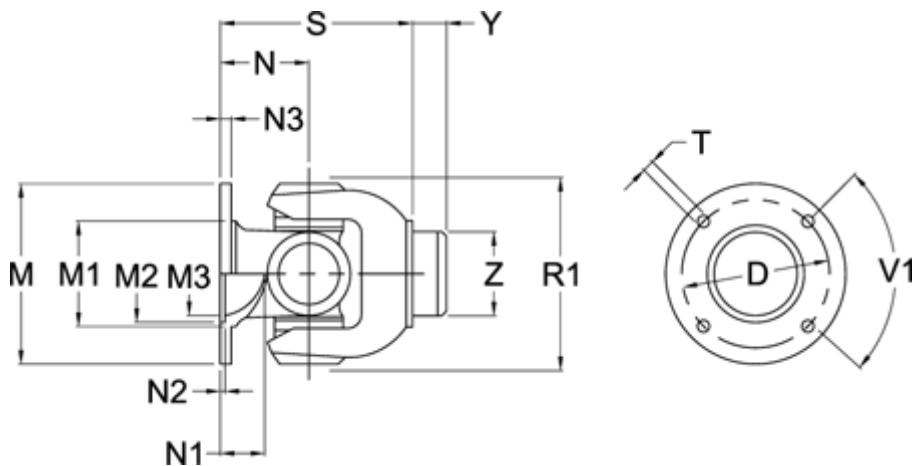


Article number: 07110051001

Description: Universal joint single 0.110.051.001
S=105 X= Bore with keyway

Measures



D	= 101,5 \pm 0,1	N2	= 2,5 \pm 0,5	Z = 44.25
Flange diameter M	= 120	N3	= 8	
M1	= 80.5	Number og Flangeholes	= 8	
M2	= 75	R1	= 98	
M3	= 61	S min	= 105	
Max. Bending Angle degrees	= 18	T	= 8 B12	
N	= 46	V1 degrees	= 45	
N1	= 22	Y	= 15	